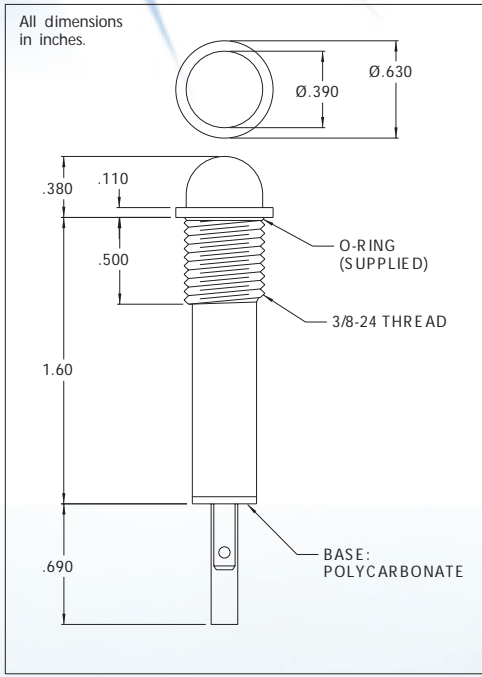


**6010QM, 6011QM, 6012QM, 6013QM and 6091QM Series Oil-Tight Non-Relampable Neon-LED Indicator Lights**

**DESCRIPTION AND FEATURES**



Solid-state indicator lights complete with built-in current-limiting resistor and rectifier diode.

Meets NEMA Class 13

Mounting: Ø.380 min. hole. Supplied with internal tooth lock washer and hex nut. Mounting hole pattern on page SP2.

Lens: Polycarbonate

Terminals: Quick-connect, tinned brass .187 .020.

Bezel: Polished stainless steel. For black finish add "X" after the series letter(s).

Gaskets: Buna-N

Housing: Black Nylon

Lens Color	Incandescent	
	Model No. (105-125VAC)	Model No. (208-250VAC)
Red	6010QM1	6011QM1
Amber	6010QM3	6011QM3
Green	6012QM5*	6013QM5*
Lamp used	C2A+Resistor	C2A+Resistor

Lens Color	LED Solid State Indicator		
	Model No. for 12V	Model No. for 24V	Incorporates LED
Red	6091QM1-12V	6091QM1-24V	4304H1
Green	6091QM5-12V	6091QM5-24V	4304H5
Yellow	6091QM7-12V	6091QM7-24V	4304H7
Internal Resistor (ohms)	390	1000	-

\* Incorporates G2B lamp and resistor. Underwriters Laboratories (UL) File No. E20325 Canadian Standards Association (CSA) File No. LR13346

Note: Also incorporates IN4004 (400 P.I.V.) rectifier diode. Anode (+): Marked above positive terminal.