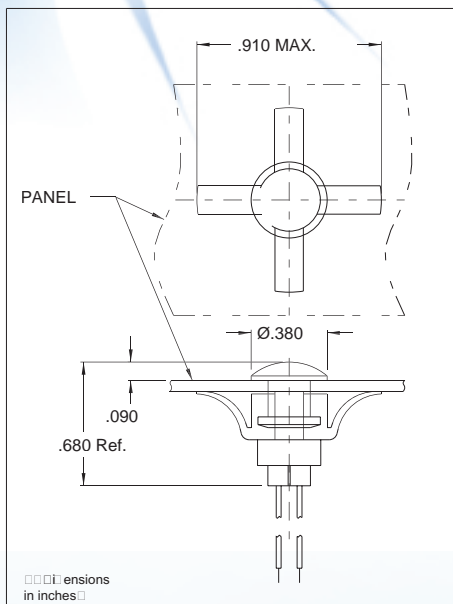


5400A Series Panel Mounted LED Indicator

DESCRIPTION AND FEATURES



Features

A unique design, the 5400 Series is a two-piece unit consisting of a lens and the housing-LED assembly. Simple, fast installation provided by placing the lens into mounting hole from the panel front and snapping the housing assembly onto the lens from the rear. Allows pre-wiring into the circuit and testing before installation. Has low-profile, damage-resistant lens offering static discharge protection and wide-angle viewing.

Mounting: Will snap-fit in \varnothing .312/.317 hole in panels .020/.098 thick.

Wire Leads: No.24 AWG, 4.4/4.8 long, stripped .430/.570

Anode(+): Red lead

Housing: Natural nylon

Lens: Polycarbonate

ELECTRO-OPTICAL CHARACTERISTICS

| Part Number | Color | Typ. Intensity (mcd) | Rated Current (mA) | Continuous Forward Current Max. (mA) | Forward Voltage Typ. (V) | Forward Voltage Max. (V) | Peak Forward Current @ 1ms-300pps (A) | Reverse Break-down Voltage Min. (V) | Includes Lens Model No. |
|-------------|--------|----------------------|--------------------|--------------------------------------|--------------------------|--------------------------|---------------------------------------|-------------------------------------|-------------------------|
| 5400A1 | Red | 120 | 20 | 35 | 2.0 | 3.0 | 1.0 | 5 | 4741 |
| 5400A3 | Amber | 120 | 20 | 35 | 2.0 | 3.0 | 1.0 | 5 | 4743 |
| 5400A5 | Green | 120 | 20 | 20 | 2.1 | 2.5 | - | 4 | 4745 |
| 5400A7 | Yellow | 120 | 20 | 35 | 2.1 | 3.0 | 1.0 | 5 | 4747 |