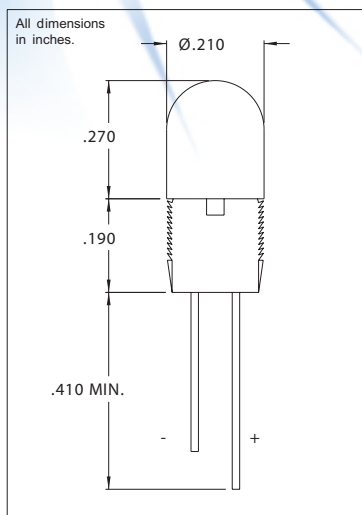


**5200F Series Panel Mounted LED Indicator Light**

**DESCRIPTION AND FEATURES**



**Features**

- Quick push-in panel mounting.
- Attractive appearance.
- Wide angle visibility.
- High-intensity light output (GaAsP on GaP for red and yellow, GaP for green.)

These assemblies offer the superior performance of SUPER BRITE LEDs in a package that is economical to buy and install.

Mounting: Will snap-fit into Ø.187/.192 hole in panels .020/.097 thick

Lens: Polycarbonate

**ELECTRO-OPTICAL CHARACTERISTICS**

| Part Number | Color  | Typ. Intensity (mcd) | Rated Current (mA) | Continuous Forward Current Max. (mA) | Forward Voltage Typ. (V) | Forward Voltage Max. (V) | Peak Forward Current @ 1ms-300pps (A) | Reverse Break-down Voltage Min. (V) |
|-------------|--------|----------------------|--------------------|--------------------------------------|--------------------------|--------------------------|---------------------------------------|-------------------------------------|
| 5200F1      | Red    | 6                    | 10                 | 30                                   | 2.0                      | 3.0                      | 1.0                                   | 5                                   |
| 5200F5      | Green  | 12                   | 20                 | 30                                   | 2.2                      | 3.0                      | .09                                   | 5                                   |
| 5200F7      | Yellow | 20                   | 20                 | 30                                   | 2.1                      | 3.0                      | 1.0                                   | 5                                   |