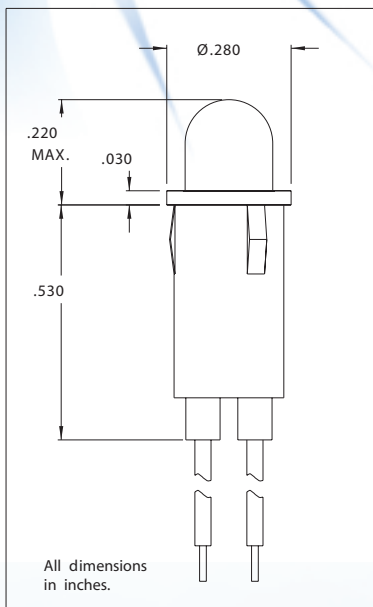


Panel Mounted LED Indicator Light with Wire Leads 1/4" Diameter Mounting Hole

DESCRIPTION AND FEATURES



Features

- Super-Brite 30mcd
- Low current
- Built-in resistor chip operates directly off 5 volt or 12 volt supply without external resistor.

Mounting: Will snap-fit in Ø.249/.254 hole in panels .031/.062 thick.

Wire leads: No. 24 AWG, 6" insulated, bonded strands, stripped 1/2"

Anode(+): Red Lead

Housing: Black Nylon

Alternate LEDs are also available in this package as standard variations.

| Part Number | Emitted Color | Typical Intensity (mcd) | Rated Current (mA) | Continuous Forward Current Max. (mA) | Forward Voltage | | Peak Forward Current @ 1ms-300 PPS (A) | Reverse Breakdown Voltage Min. (V) | Peak Wavelength (nm) |
|-------------|---------------|-------------------------|--------------------|--------------------------------------|-----------------|----------|--|------------------------------------|----------------------|
| | | | | | Typ. (V) | Max. (V) | | | |
| 5100H1 | Red | 30 | 20 | 35 | 2.0 | 3.0 | 1.0 | 5 | 635 |
| 5100H3 | Amber | 20 | 20 | 35 | 2.0 | 3.0 | 1.0 | 5 | 608 |
| 5100H5 | Green | 30 | 20 | 30 | 2.2 | 3.0 | .09 | 5 | 562 |
| 5100H6 | Blue | 3.0 | 45 | 50 | 3.4 | 3.9 | - | 5 | 470 |
| 5100H7 | Yellow | 25 | 20 | 35 | 2.1 | 3.0 | 1.0 | 5 | 585 |
| 5100H1LC | Red | 2.0 | 2 | 7 | 1.8 | 2.2 | .007 | 5 | 635 |
| 5100H5LC | Green | 2.5 | 2 | 7 | 1.8 | 2.2 | .007 | 5 | 565 |
| 5100H7LC | Yellow | 2.0 | 2 | 7 | 1.9 | 2.7 | .007 | 5 | 585 |
| 5102H1-5V | Red | 6.0 | 10 | 15 | 5 | 7.5 | - | 5 | 635 |
| 5102H3-5V | Amber | 7.0 | 10 | 15 | 5 | 7.5 | - | 5 | 583 |
| 5102H5-5V | Green | 10.0 | 12 | 15 | 5 | 7.5 | - | 5 | 565 |
| 5102H1-12V | Red | 4.0 | 13 | 15 | 12 | 20.0 | - | 5 | 635 |
| 5102H3-12V | Amber | 4.0 | 13 | 15 | 12 | 20.0 | - | 5 | 583 |
| 5102H5-12V | Green | 4.0 | 13 | 15 | 12 | 20.0 | - | 5 | 565 |

Low Current
Built-In Resistor 5 Volts
Built-In Resistor 12 Volts